

260°C High Temperature RFID Screw tags

JDM18



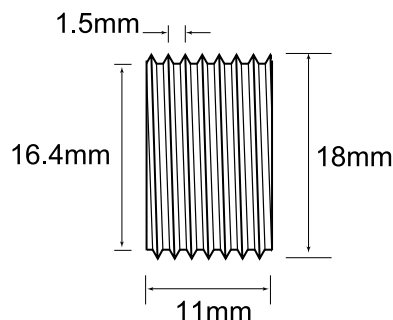
Functional Specifications:

RFID Protocol:	EPC Class1 Gen2, ISO18000-6C
Frequency:	US(902-928MHZ), EU(865-868MHZ)
IC type:	Alien Higgs-3,NXP UCODE 8
Memory:	EPC 96bits (Up to 480bits) , USER 512bits, TID64bits
Write Cycles:	100,000 times
Functionality:	Read/write
Data Retention:	50 Years
Applicable Surface:	Metal Surfaces
Read Range : (Fix Reader)	0.90m, US(902-928MHZ) 0.80m, EU(865-868MHZ)
Read Range : (Handheld Reader)	0.35m, US(902-928MHZ) 0.35m, EU(865-868MHZ)
Warranty:	1 Year

Physical Specification:

Size:	D18.0mm
Thickness:	11.0mm
Material:	304 stainless steel
Colour:	Gray
Mounting Methods:	Screw
Weight:	13.5g

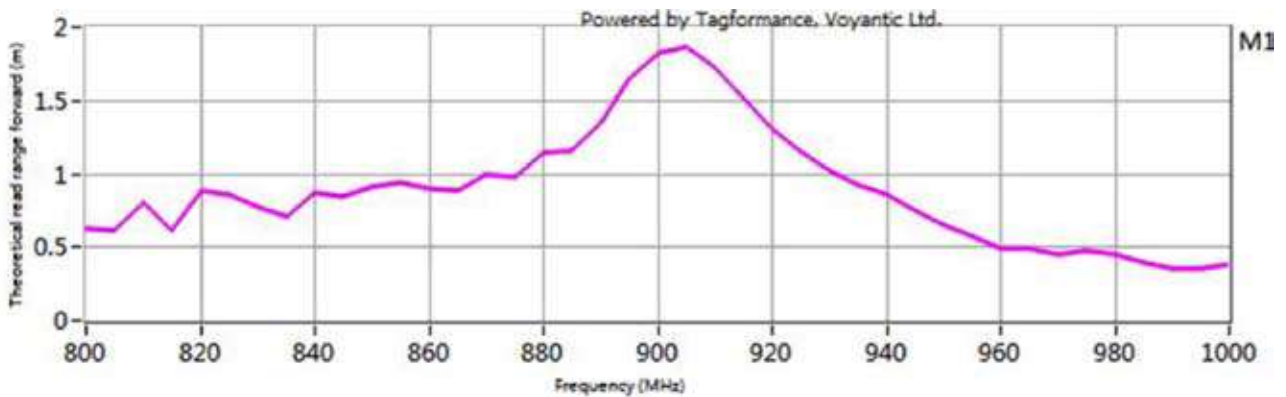
Dimensions:



Environmental Specification:

IP Rating:	IP68
Storage Temperature:	-50°C to +260°C,+300°C100 hours
Operation Temperature:	-40°C to +150°C
Reliability testing terms and results:	<ul style="list-style-type: none"> a. Withstand 300°C for 100 hours continuously without damage. b. Withstand 280°C for 1000 hours continuously without damage. c. Withstand 260°C for 2000 hours continuously without damage. d. Withstand -20°C for 8 hours, then 260°C for 16 hours per day, 80 days continuously without damage. e. Withstand from 150°C to -40°C, 7.5 cycles per day, 80 days continuously with total 600 cycles without damage.
Certifications:	Reach Approved, RoHS Approved, CE Approved, ATEX Approved.

U1, Metal Surface(902-928MHZ):



E1, Metal Surface(865-868MHZ):

